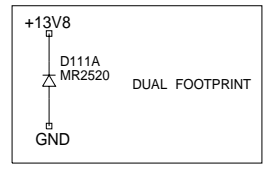
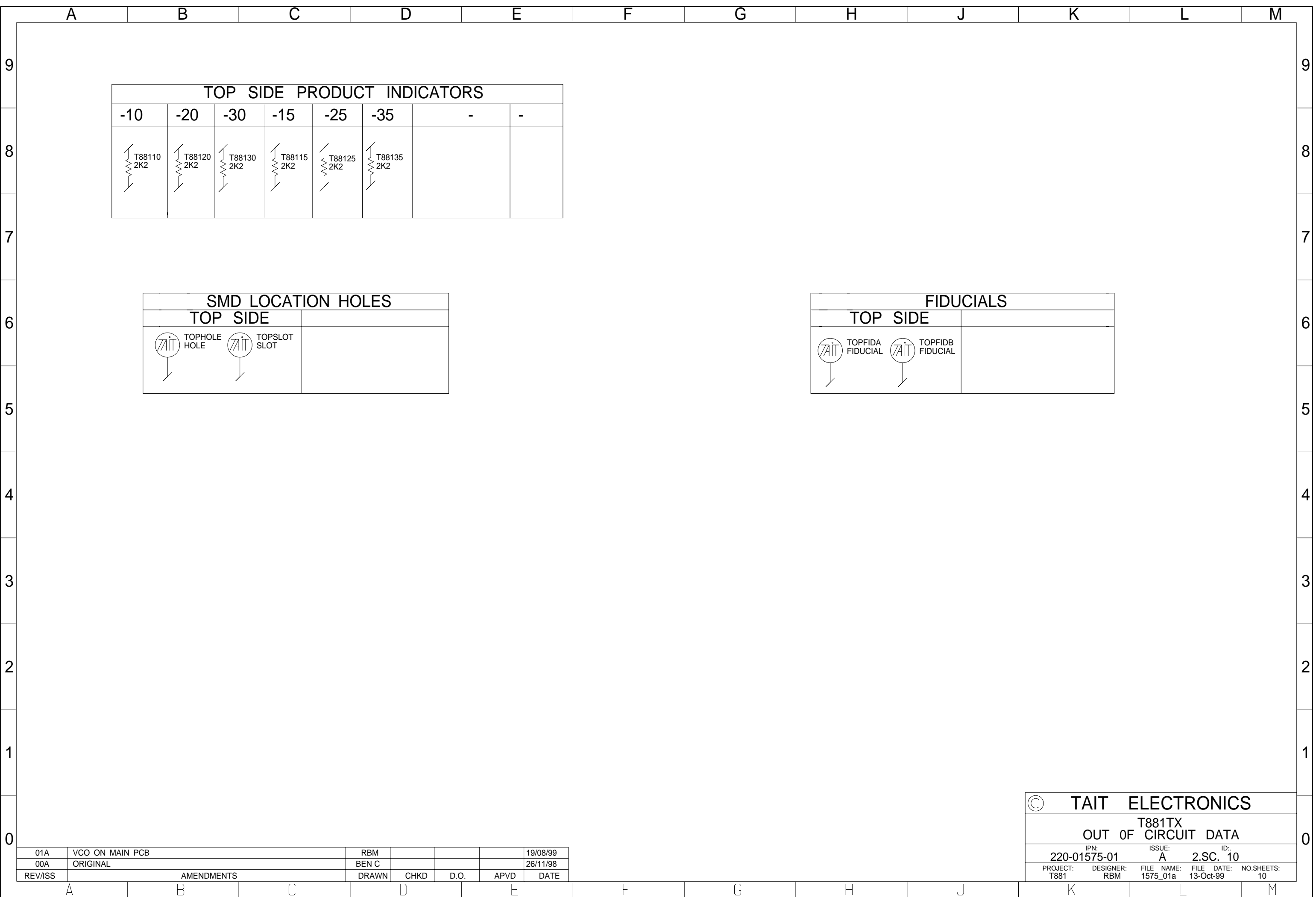


OUT-OF-CIRCUIT-DATA
SHEET 10



01A	VCO ON MAIN PCB	RBM			19/08/99
00A	ORIGINAL	BEN C			26/11/98
REV/ISS	AMENDMENTS	DRAWN	CHKD	D.O.	APVD DATE

© TAIT ELECTRONICS					
T881TX					
PROJECT:	DESIGNER:	FILE NAME:	FILE DATE:	NO. SHEETS:	
T881	RBM	1575_01a	13-Oct-99	10	



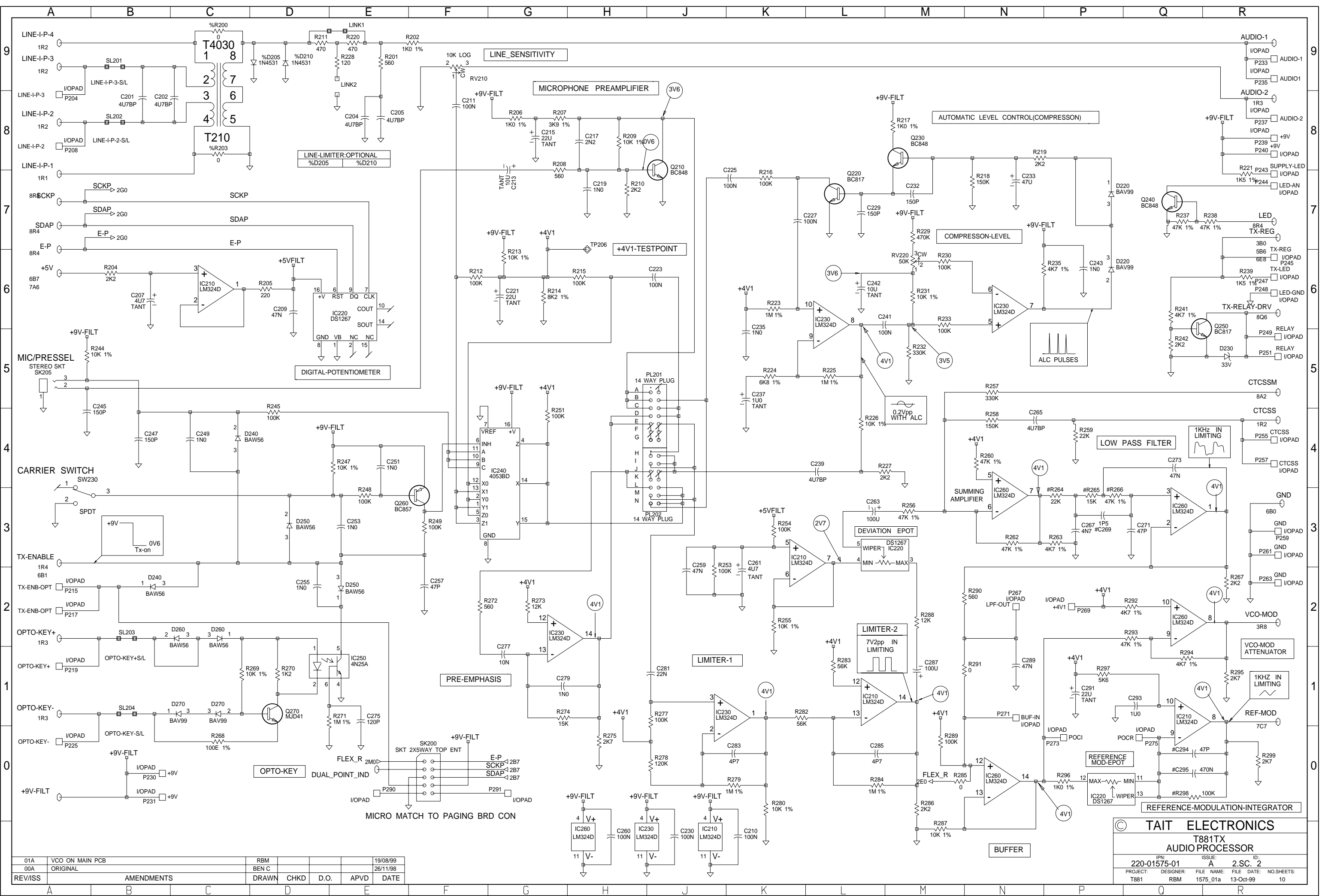
TOP SIDE PRODUCT INDICATORS							
-10	-20	-30	-15	-25	-35	-	-

SMD LOCATION HOLES	
TOP SIDE	
TOPHOLE HOLE	TOPSLOT SLOT

FIDUCIALS	
TOP SIDE	
TOPFIDA FIDUCIAL	TOPFIDB FIDUCIAL

01A	VCO ON MAIN PCB	RBM				19/08/99
00A	ORIGINAL	BEN C				26/11/98
REV/ISS	AMENDMENTS	DRAWN	CHKD	D.O.	APVD	DATE

© TAIT ELECTRONICS					
T881TX					
OUT OF CIRCUIT DATA					
IPN:	220-01575-01	ISSUE:	A	ID:	2.SC. 10
PROJECT:	T881	DESIGNER:	RBM	FILE NAME:	1575_01a
				FILE DATE:	13-Oct-99
				NO.SHEETS:	10



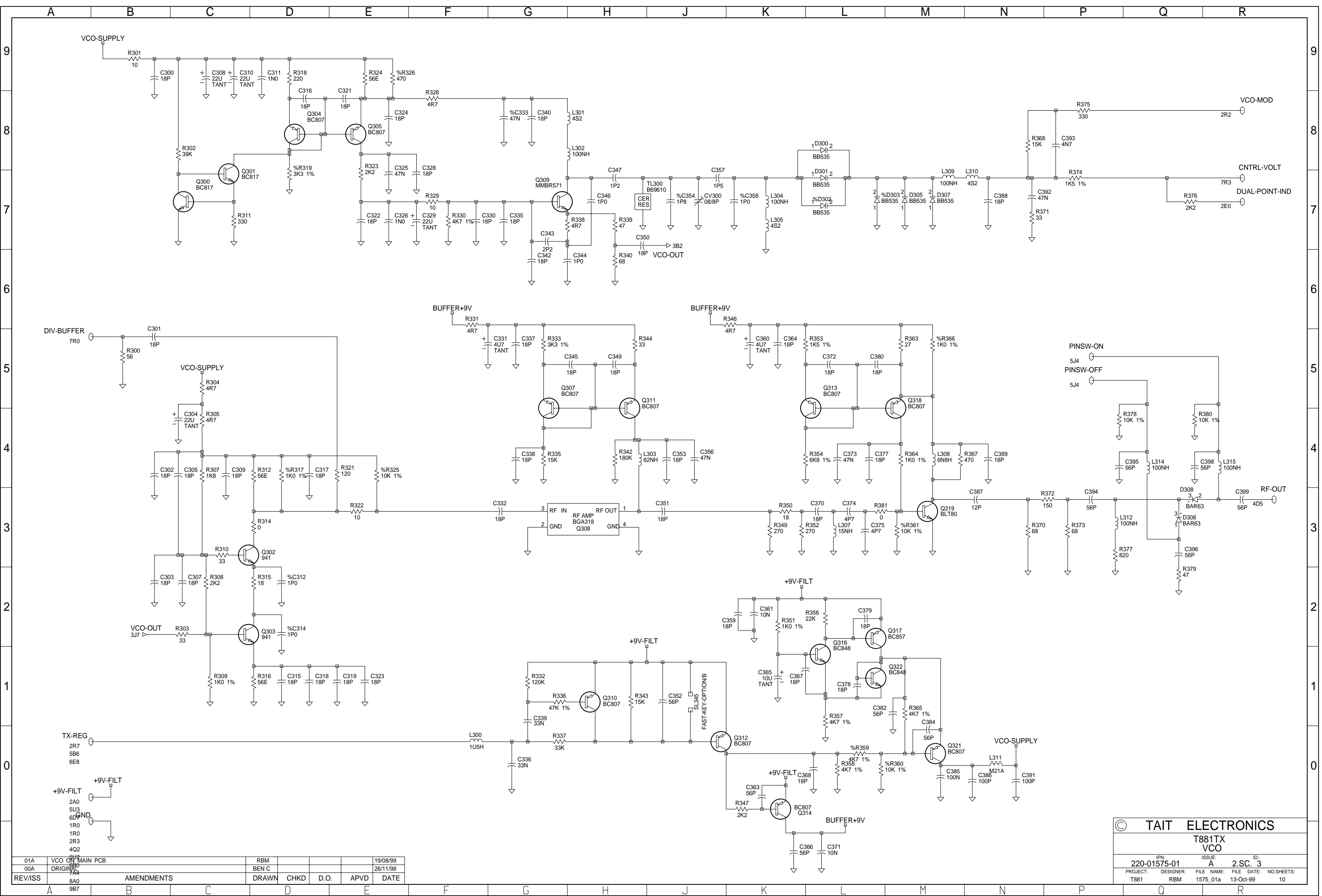
01A	VCO ON MAIN PCB	RBM			19/08/99
00A	ORIGINAL	BEN C			26/11/98
REV/ISS	AMENDMENTS	DRAWN	CHKD	D.O.	APVD DATE

© TAIT ELECTRONICS

T881TX AUDIO PROCESSOR

IPN: 220-01575-01 ISSUE: A ID: 2.S.C. 2

PROJECT: T881 DESIGNER: RBM FILE NAME: 1575_01a DATE: 13-Oct-99 NO.SHEETS: 10



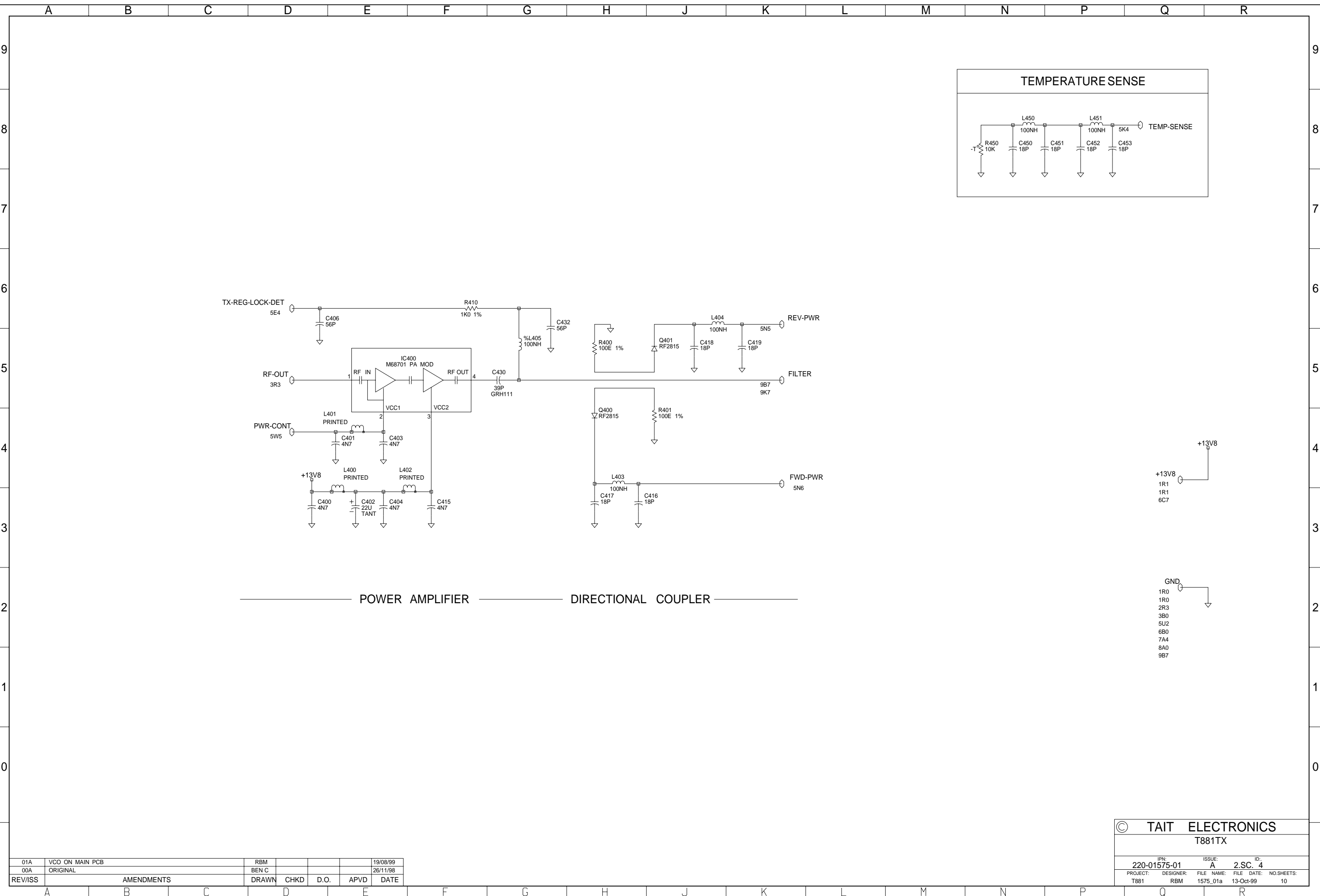
01A	VCO ON MAIN PCB	RBM			19/08/99
00A	ORIGINAL	BEN C			26/11/98
REV/ISS	AMENDMENTS	DRAWN	CHKD	D.O.	APVD DATE
7A					
8A0					
9B7					

© TAIT ELECTRONICS

T881TX VCO

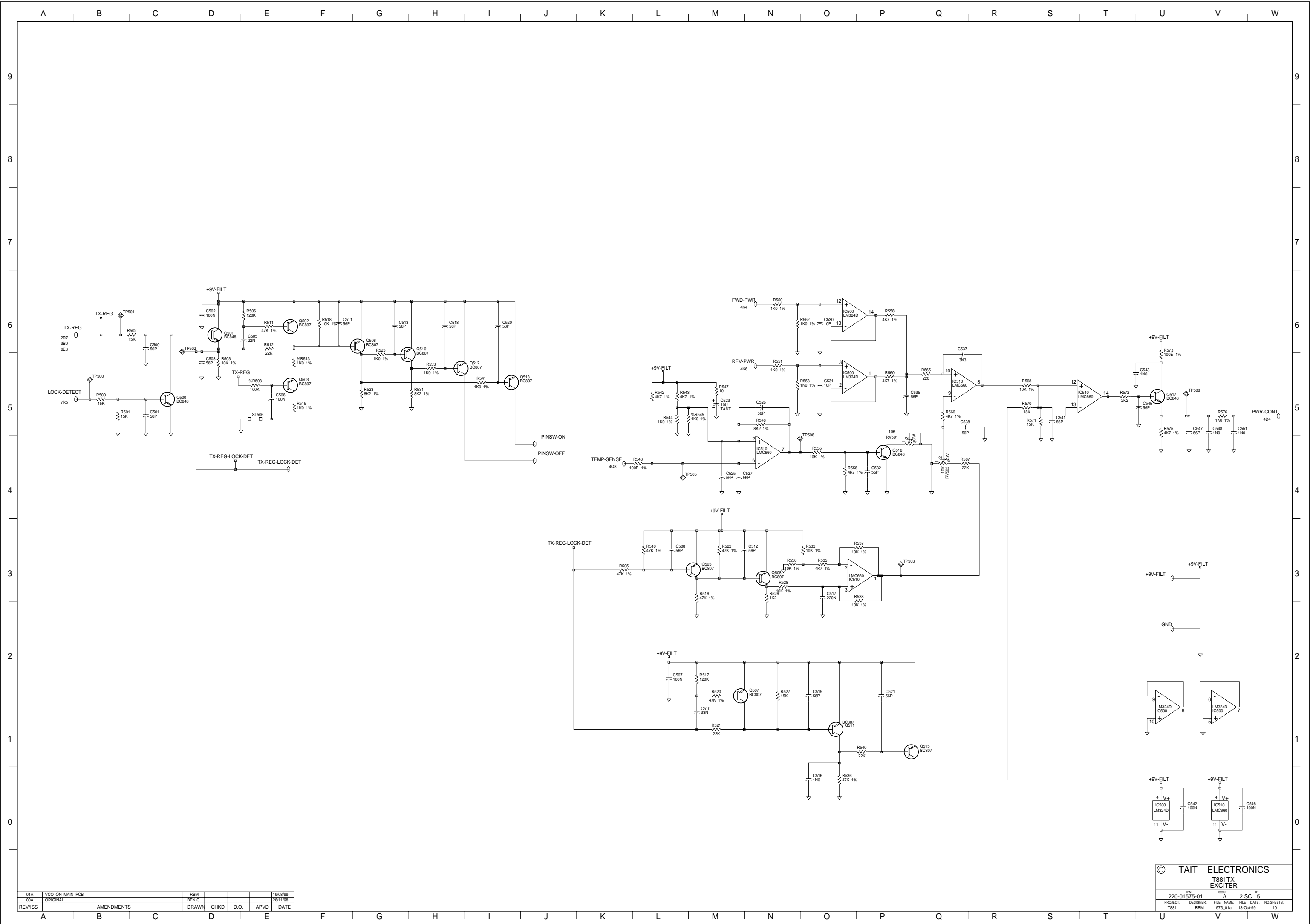
IPN: 220-01575-01 ISSUE: A ID: 2.S.C. 3

PROJECT: T881 DESIGNER: RBM FILE NAME: 1575_01a DATE: 13-Oct-99 NO.SHEETS: 10



01A	VCO ON MAIN PCB	RBM				19/08/99
00A	ORIGINAL	BEN C				26/11/98
REV/ISS	AMENDMENTS	DRAWN	CHKD	D.O.	APVD	DATE

© TAIT ELECTRONICS			
T881TX			
IPN:	ISSUE:	ID:	
220-01575-01	A	2.SC. 4	
PROJECT:	DESIGNER:	FILE NAME:	FILE DATE: NO.SHEETS:
T881	RBM	1575_01a	13-Oct-99 10



01A	VCO ON MAIN PCB	RBM		19/08/99
00A	ORIGINAL	BEN C		26/11/98
REV/ISS	AMENDMENTS	DRAWN	CHKD	D.O.
		APVD		DATE

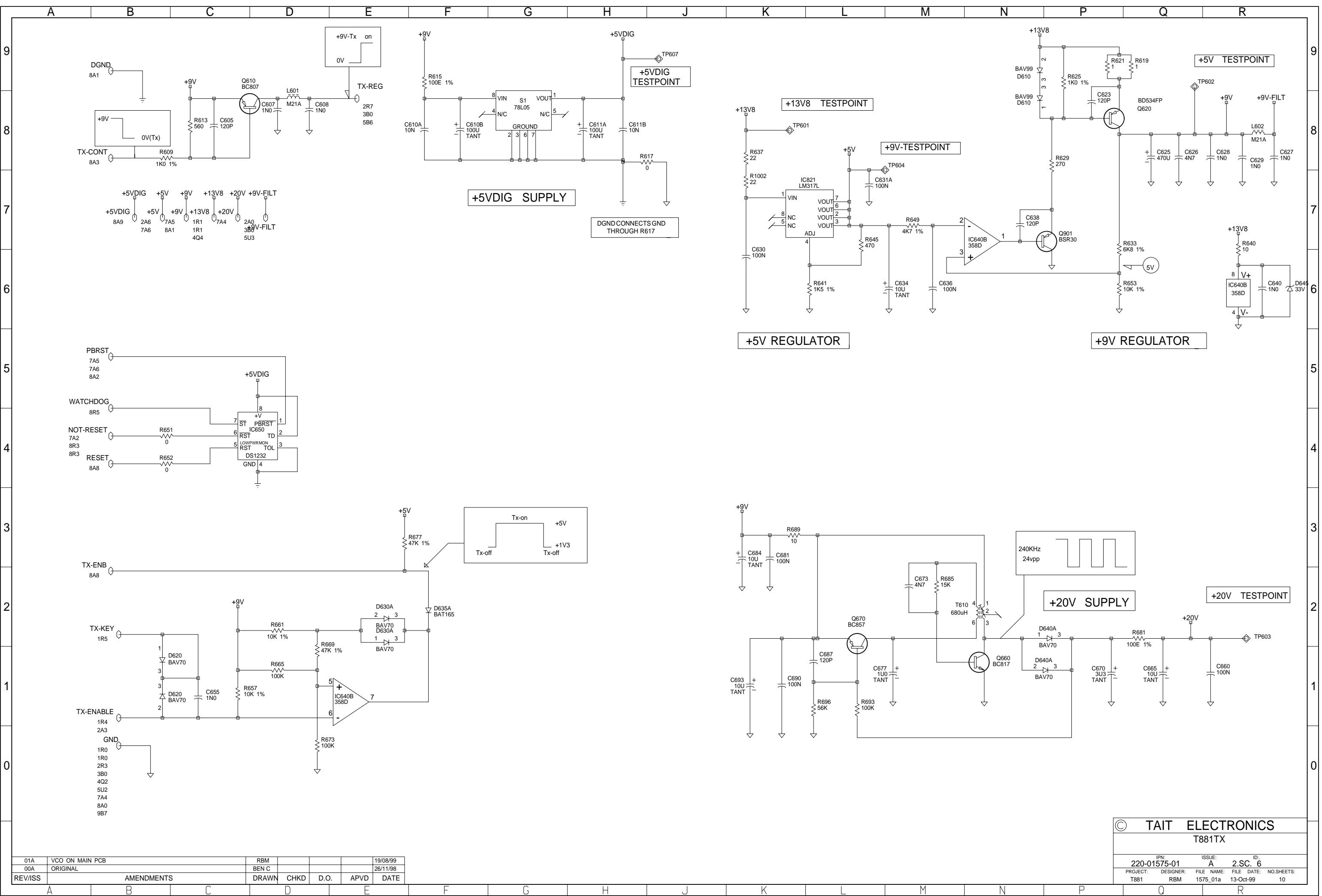
© TAIT ELECTRONICS

T881TX
EXCITER

220-01575-01

PROJECT: T881 DESIGNER: RBM FILE NAME: 1575_01a FILE DATE: 13-Oct-99 NO. SHEETS: 10

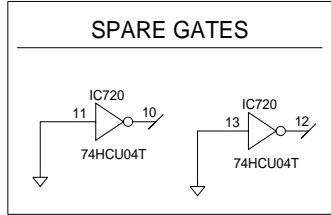
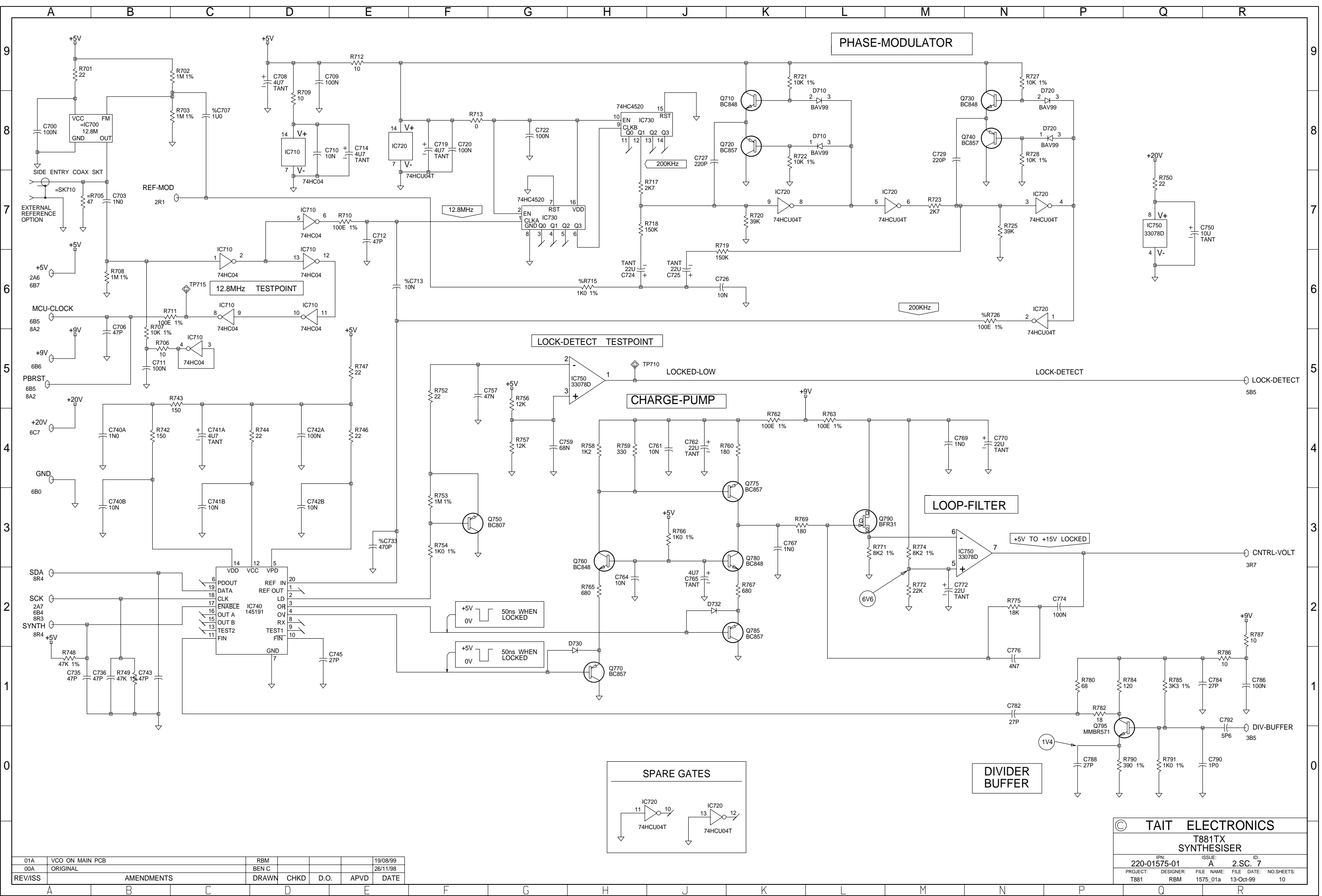
ISSUE: A 2-SC. 5



01A	VCO ON MAIN PCB	RBM			19/08/99
00A	ORIGINAL	BEN C			26/11/98
REV/ISS	AMENDMENTS	DRAWN	CHKD	D.O.	APVD DATE

© TAIT ELECTRONICS
T881TX

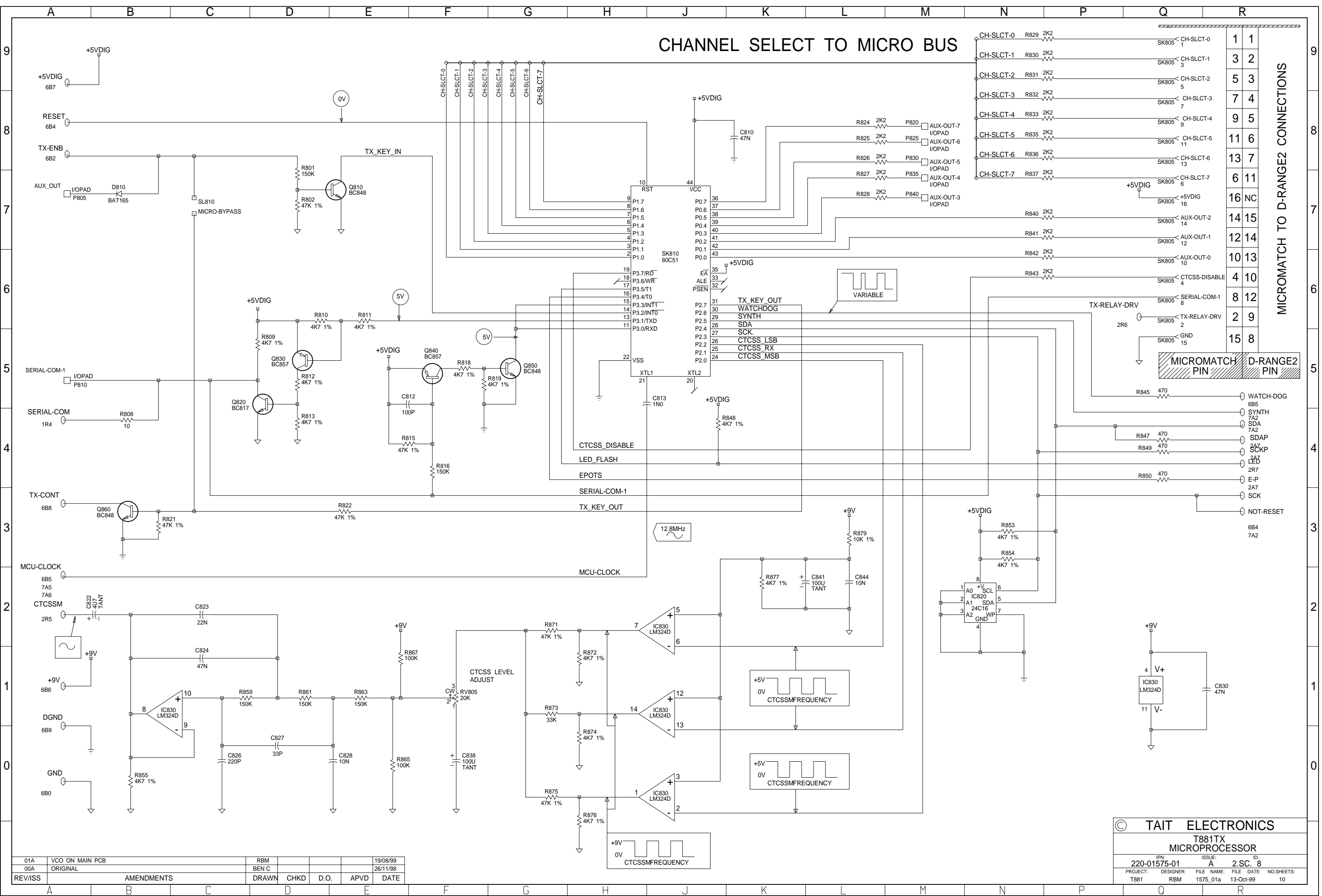
IPN:	ISSUE:	ID:
220-01575-01	A	2.S.C. 6
PROJECT:	DESIGNER:	FILE NAME:
T881	RBM	1575_01a
FILE DATE:	NO.SHEETS:	
13-Oct-99	10	



© TAIT ELECTRONICS	
T881TX SYNTHESISER	
IPN: 220-01575-01	ISSUE: A 2.SC. 7
PROJECT: T881	DESIGNER: RBM
FILE NAME: 1575_01a	FILE DATE: 13-Oct-99
NO. SHEETS: 10	

01A	VCO ON MAIN PCB	RBM			19/08/99
00A	ORIGINAL	BEN C			26/11/98
REV/ISS	AMENDMENTS	DRAWN	CHKD	D.O.	APVD DATE

CHANNEL SELECT TO MICRO BUS



Channel Select	Resistor	Microprocessor Pin	Signal
CH-SLCT-0	R829 2K2	SK805< 1	CH-SLCT-0
CH-SLCT-1	R830 2K2	SK805< 3	CH-SLCT-1
CH-SLCT-2	R831 2K2	SK805< 5	CH-SLCT-2
CH-SLCT-3	R832 2K2	SK805< 7	CH-SLCT-3
CH-SLCT-4	R833 2K2	SK805< 9	CH-SLCT-4
CH-SLCT-5	R835 2K2	SK805< 11	CH-SLCT-5
CH-SLCT-6	R836 2K2	SK805< 13	CH-SLCT-6
CH-SLCT-7	R837 2K2	SK805< 15	CH-SLCT-7
AUX-OUT-7	R824 2K2	P820	AUX-OUT-7 I/OPAD
AUX-OUT-6	R825 2K2	P825	AUX-OUT-6 I/OPAD
AUX-OUT-5	R826 2K2	P830	AUX-OUT-5 I/OPAD
AUX-OUT-4	R827 2K2	P835	AUX-OUT-4 I/OPAD
AUX-OUT-3	R828 2K2	P840	AUX-OUT-3 I/OPAD
AUX-OUT-2	R840 2K2	SK805< 14	AUX-OUT-2
AUX-OUT-1	R841 2K2	SK805< 12	AUX-OUT-1
AUX-OUT-0	R842 2K2	SK805< 10	AUX-OUT-0
CTCSS-DISABLE	R843 2K2	SK805< 4	CTCSS-DISABLE
SERIAL-COM-1	2R6	SK805< 8	SERIAL-COM-1
TX-RELAY-DRV	2R6	SK805< 2	TX-RELAY-DRV
GND	R845 470	SK805< 15	GND

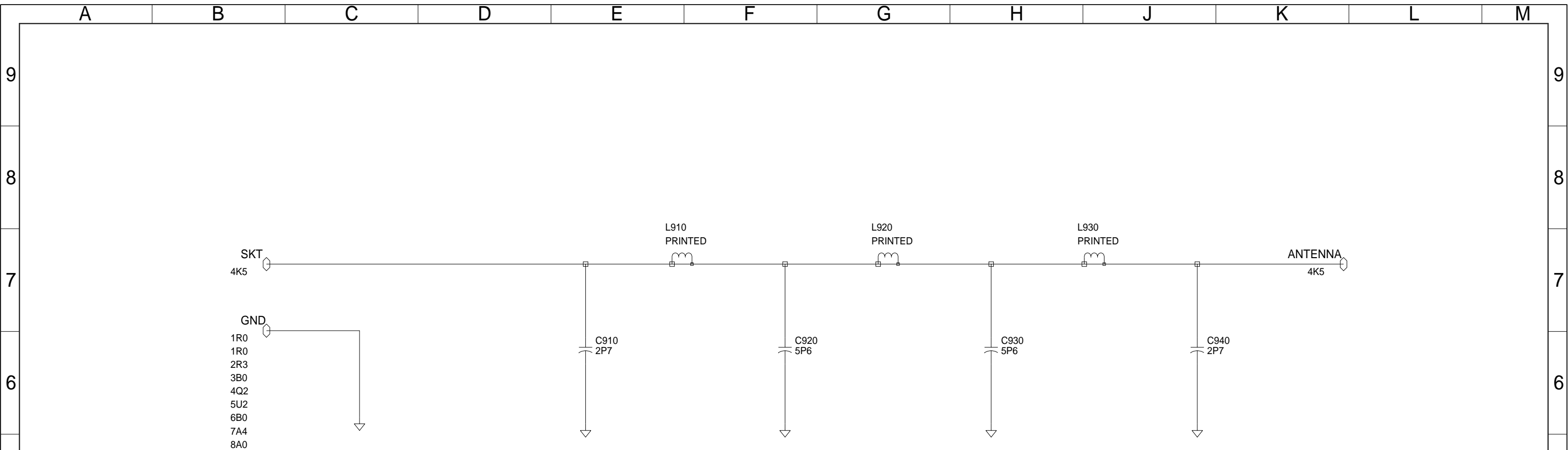
MICROMATCH TO D-RANGE2 CONNECTIONS

MICROMATCH PIN	D-RANGE2 PIN
1	1
2	2
3	3
4	4
5	5
6	6
7	7
8	8
9	9
10	10
11	11
12	12
13	13
14	14
15	15
16	NC

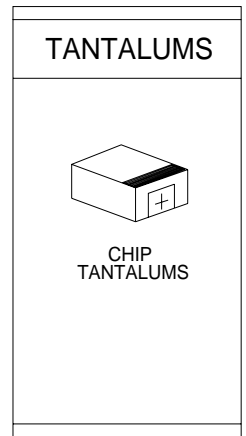
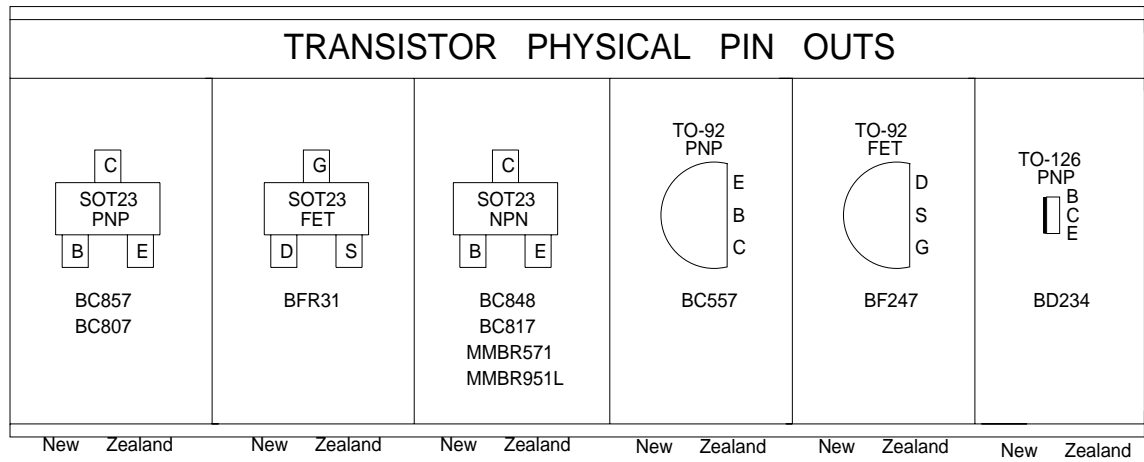
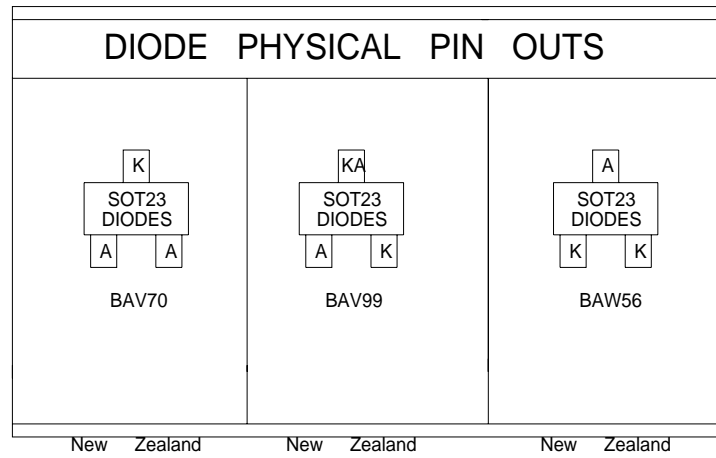
© TAIT ELECTRONICS
T881TX
MICROPROCESSOR

IPN: 220-01575-01	ISSUE: A	ID: 2.S.C. 8
PROJECT: T881	DESIGNER: RBM	FILE NAME: 1575_01a
		DATE: 13-Oct-99
		NO. SHEETS: 10

01A	VCO ON MAIN PCB	RBM			19/08/99
00A	ORIGINAL	BEN C			26/11/98
REV/ISS	AMENDMENTS	DRAWN	CHKD	D.O.	APVD DATE



HARMONIC-FILTER



01A	VCO ON MAIN PCB	RBM				19/08/99
00A	ORIGINAL	BEN C				26/11/98
REV/ISS	AMENDMENTS	DRAWN	CHKD	D.O.	APVD	DATE

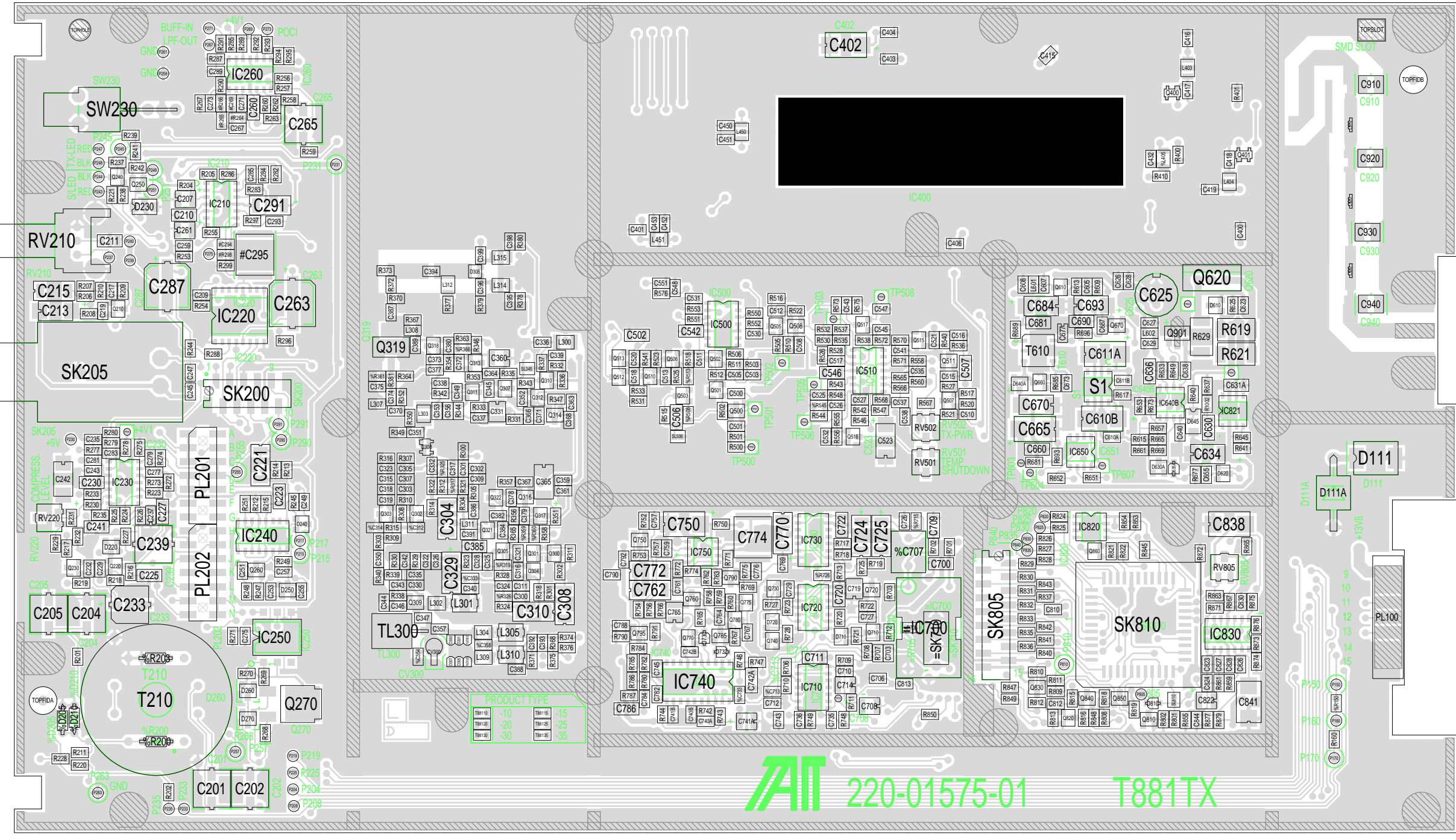
© TAIT ELECTRONICS

T881TX
HARMONIC-FILTER

IPN: 220-01575-01 ISSUE: A ID: 2.SC. 9

PROJECT: T881 DESIGNER: RBM FILE NAME: 1575_01a FILE DATE: 13-Oct-99 NO.SHEETS: 10

9
8
7
6
5
4
3
2
1

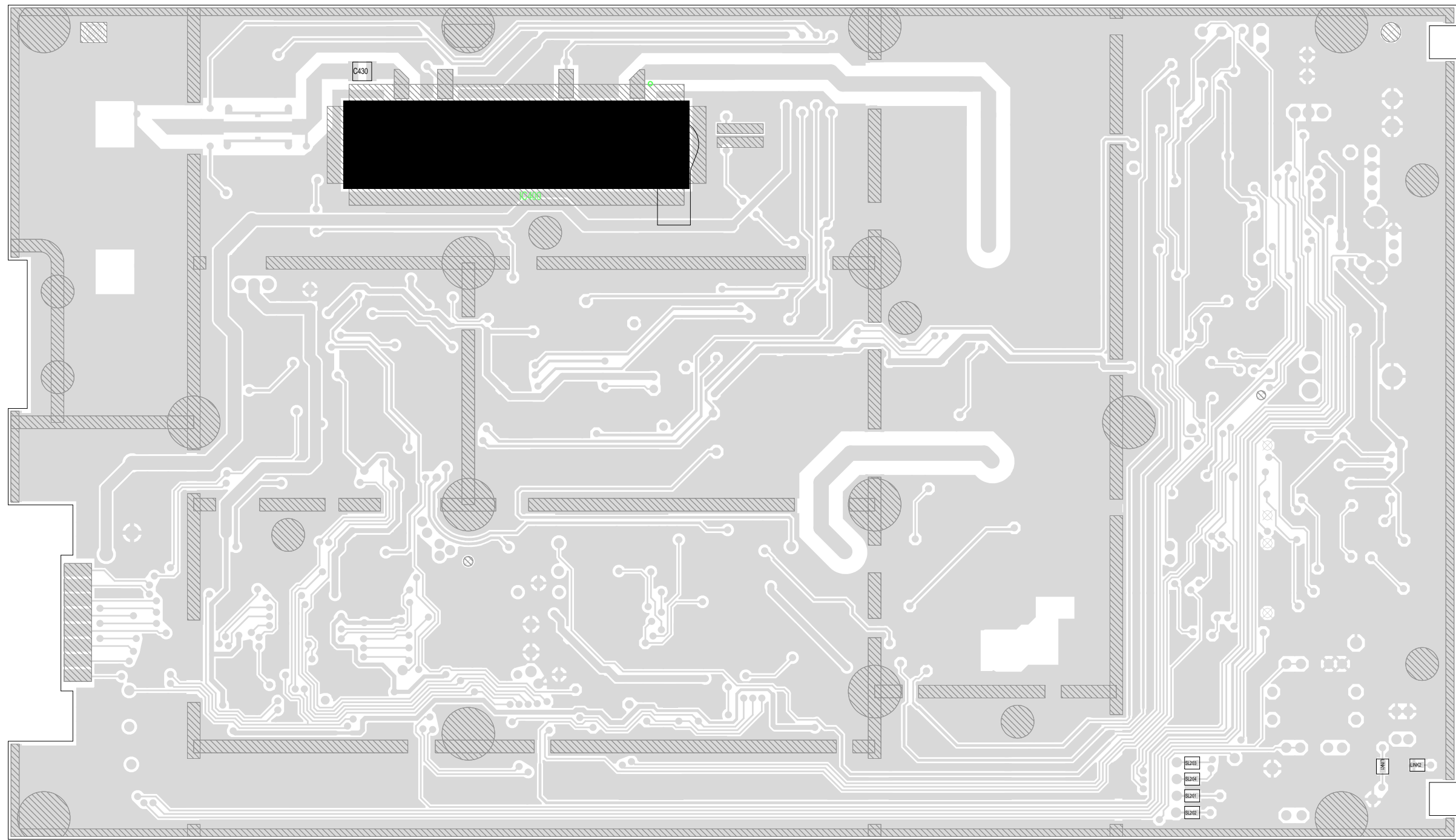


A B C D E F G H J K L M N P Q

TAIT 220-01575-01 T881TX

TAIT ELECTRONICS IPN: 220-01575-01 ISS: -01 ID: 1.TA DATE: 27 Sep 1999
T881TX PCB LAYOUT - TOP SIDE

Scale: 1:2.1 ; Rotation: 0 degrees



Q P N M L K J H G F E D C B A

9
8
7
6
5
4
3
2
1

TAIT ELECTRONICS IPN: 220-01575-01 ISS: -01 ID: 2.BA DATE: 27 Sep 1999
T881TX PCB LAYOUT - BOTTOM SIDE

Scale: 1.2:1 ; Rotation: 0 degrees